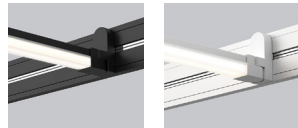


ARENA – SLICE SQUARE 8296

PROJECT PROJÉT
SPEC TYPE
NOTES



FINISH FINI



BLKE

WHE

FAMILY FAMILLE



ARENA - BEAM 8290

ARENA - GLOW 8291

ARENA - AIM 8292

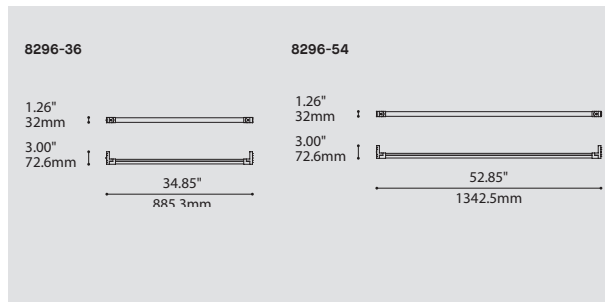
ARENA - BALL 8295



ARENA - CONE 8294

ARENA - SLICE SQ 8296

ARENA - ACOUSTIC 8298



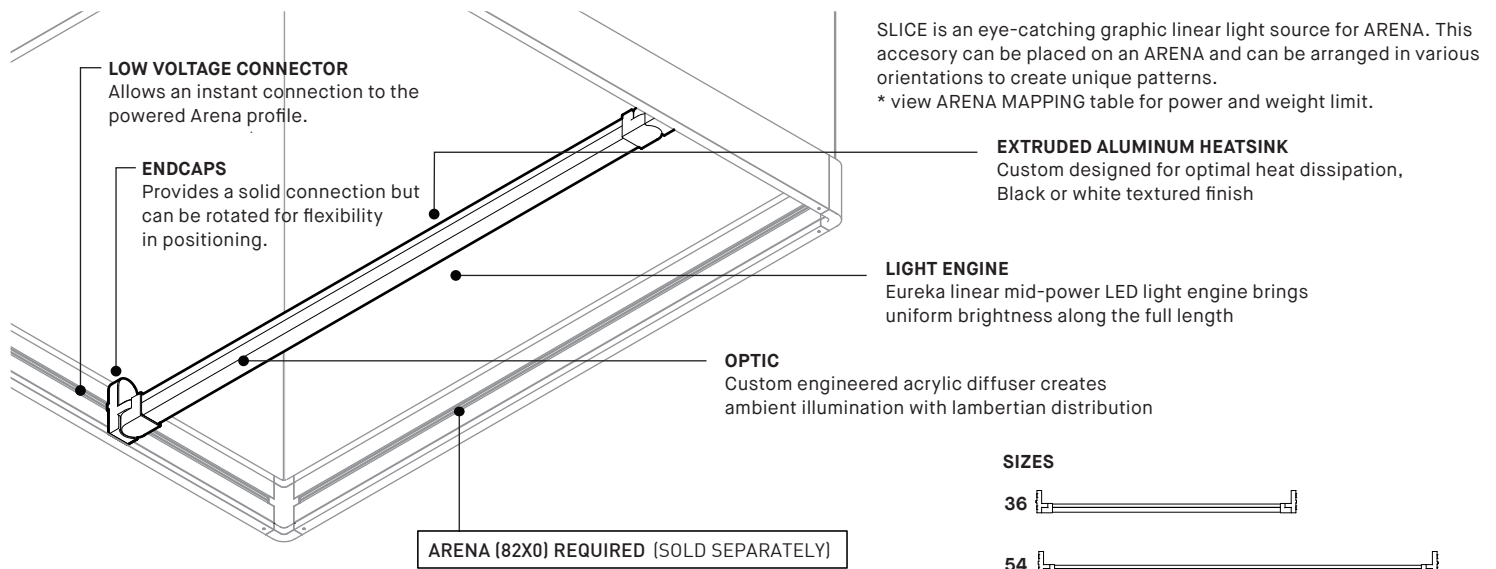
ORDERING SPECIFICATION SPÉCIFICATION DE COMMANDE		CODE
MODEL MODÈLE		
8296-36*	ARENA – SLICE SQUARE 36" (ONLY FOR 8220-36X36, 8220-36X96, 8220-36X54)	
8296-54*	ARENA – SLICE SQUARE 54" (ONLY FOR 8220-54X54, 8220-54X96)	
*ARENA – SLICE SQUARE IS AN ACCESSORY LIGHT SOURCE USED WITH ARENA 8210 OR 8220 (SOLD SEPARATELY)		
LIGHT SOURCE SOURCE LUMINEUSE		
LED	REGULAR OUTPUT, 8W FOR 8296-36 & 11W FOR 8296-54*	LED
TOTAL DC LOAD OF INSTALLED LIGHT SOURCES MUST NOT EXCEED 90W.		
COLOR RENDERING INDEX (CRI) INDICE DE RENDU DE COULEUR (IRC)		
90	90+ CRI	90
COLOR TEMPERATURE TEMPÉRATURE DE COULEUR		
27*	2700K	
30	3000K	
35	3500K	
40	4000K	
*LONGER LEAD TIME MAY APPLY, PLEASE CONTACT YOUR EUREKA REPRESENTATIVE		
FIXTURE FINISH FINI		
BLKE	BLACK FINE TEXTURE	
WHE	WHITE FINE TEXTURE	
DIFFUSER FINISH FINI DIFFUSEUR		
WH	WHITE	WH

PRODUCT CHARACTERISTICS CARACTÉRISTIQUES DU PRODUIT

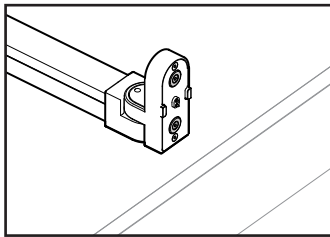
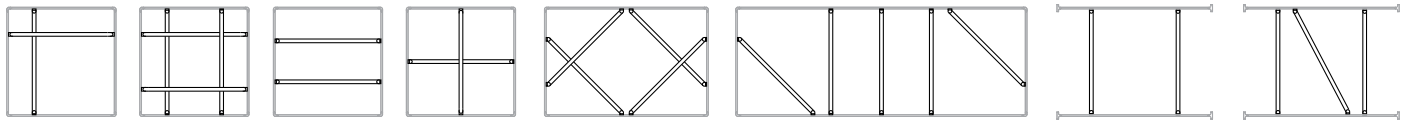


DESIGN:	SLICE SQUARE is an engaging decorative light source with sharp lines. The rectilinear white acrylic diffuser creates a visually striking statement of diffused ambient light. Create a unique environment by arranging several units as desired.
INSTALLATION:	Magnetically positioned instantly anywhere on the ARENA for easy on-site installation or reconfiguration of the lighting environment. This accessory can be flipped to the upper position to overlap another in the lower position for a unique intersecting look.
LIGHT SOURCE:	LED linear light engine with custom engineered acrylic diffuser. Each Slice-Square can be flipped for direct or indirect illumination.
BASE:	Custom designed aluminum extruded heatsink offered in white or black architectural grade finish. Swivels turn up to 45 degrees on both end of the luminaire for more flexibility.
CERTIFIED:	c-CSA-us
CONCEPTION:	SLICE SQUARE est une élégante source de lumière linéaire accrocheuse qui créer un effet d'agencement unique. Extrusion d'aluminium conçue sur mesure avec embouts en aluminium moulé sous pression offerts en finition blanche ou noire de qualité architecturale.
INSTALLATION:	Positionné magnétiquement n'importe où sur l'ARENA pour faciliter l'installation ou la reconfiguration de l'éclairage sur site. Cet accessoire peut être retourné en position supérieure pour en chevaucher un autre en position inférieure pour un look croisé unique.
SOURCE LUMINEUSE:	Éclairage linéaire à DEL avec diffuseur en acrylique conçu sur mesure. Chaque Slice-square peuvent être installé pour une illumination directe ou indirecte.
BASE:	Dissipateur thermique en aluminium extrudé conçu sur mesure offert en finition blanche ou noire de qualité architecturale. Pivote jusqu'à 45 degrés aux deux extrémités du luminaire pour plus de flexibilité.
CERTIFIÉ:	c-CSA-us

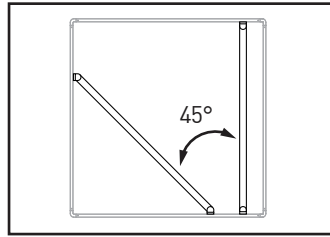
ARENA - SLICE SQUARE 8296



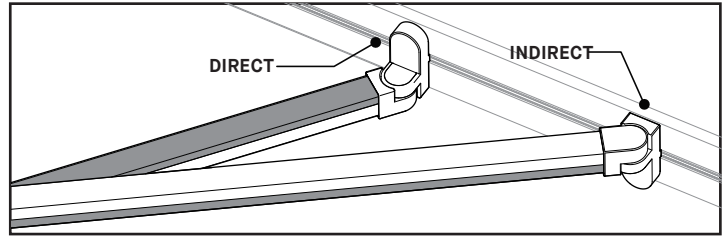
Example configurations of SLICE SQUARE on the ARENA (sold separately)



Attach
Secured by strong neodymium magnets. Tested to UL standards to support several times its weight.



Move
Pivots can be angled up to 45° to create patterns on the frame.



Flip & Overlap
SLICE can be flipped to the upper or lower position on the ARENA for direct or indirect lighting. Place one up & one down to create an overlapping light.

PRODUCT SPECIFICATIONS

L36"

L54"

PERFORMANCE

	L36"	L54"
SYSTEM WATTAGE	7.5 W	11.2 W
DELIVERED LUMENS (4000K)	854 LM	1276 LM
EFFICACY	114 LM/W	114 LM/W

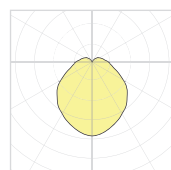
OTHER INFORMATION

	L36"	L54"
AVG. WEIGHT	2.22 LBS / 0.97 KG	3.50 LBS / 1.46 KG
L70 (LUMEN MAINTENANCE)	60,000 H	60,000H

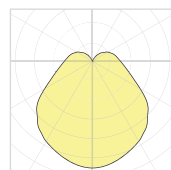
EFFICACY MULTIPLIERS

CRI	CCT	FACTOR
90+	4000K	1.00
90+	3500K	0.98
90+	3000K	0.94
90+	2700K	0.91

LIGHT DISTRIBUTION



8296-36



8296-54

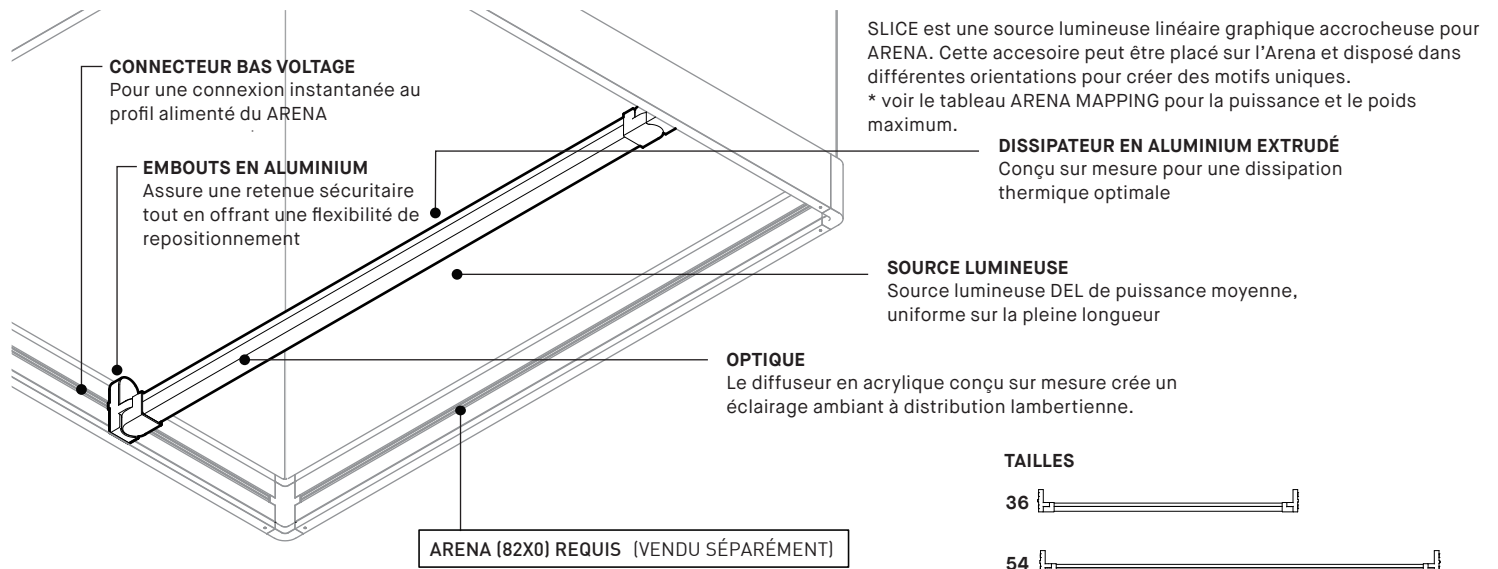


Visit our website for warranty terms and conditions.

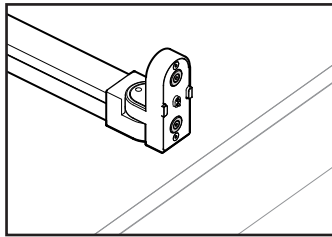
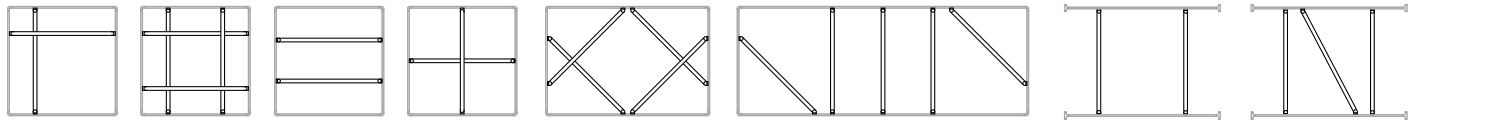


TECHNICAL DATA

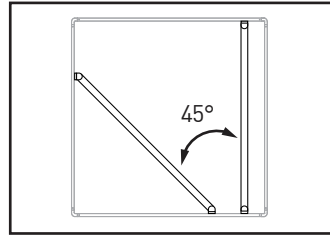
ARENA - SLICE SQUARE 8296



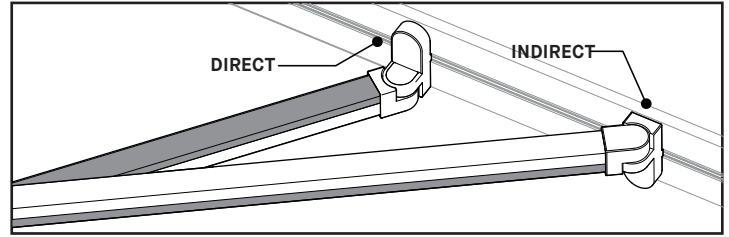
Exemples de configurations de SLICE SQUARE sur l'ARENA (vendu séparément)



Attacher
Sécurisé par de puissants aimants en néodyme. Testé selon UL pour supporter plusieurs fois leur poids.



Placer
Les pivots peuvent s'orienter jusqu'à un angle de 45° pour créer votre espace.



Retourner & Chevaucher
SLICE peut être basculé en position supérieure ou inférieure sur l'ARENA pour un éclairage direct ou indirect. Placez-en un vers le haut et un vers le bas pour créer une lumière superposée.

SPÉCIFICATIONS PRODUIT

L36"

L54"

PERFORMANCE

PUISSANCE TOTALE	7.5 W	11.2 W
LUMENS RÉELS (4000K)	854 LM	1276 LM
EFFICACITÉ	114 LM/W	114 LM/W

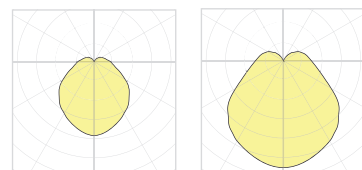
AUTRES INFORMATIONS

POIDS	2.22 LBS / 0.97 KG	3.50 LBS / 1.46 KG
L70 (MAINTENANCE DE LA LUMIÈRE)	60,000 H	60,000H

FACTEUR D'EFFICACITÉ

IRC	CCT	FACTEUR
90+	4000K	1.00
90+	3500K	0.98
90+	3000K	0.94
90+	2700K	0.91

DISTRIBUTION LUMINEUSE



8296-36

8296-54




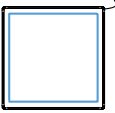
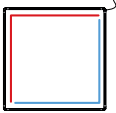
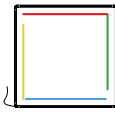
Visitez notre site Web pour les termes et conditions.





DONNÉES TECHNIQUES

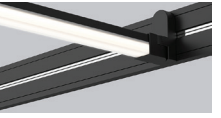
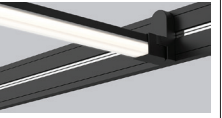
Arena Mapping

MIXING LIGHT SOURCES IS POSSIBLE AND RECOMMENDED. TO HELP YOU DO SO, SUBSTRACT THE DC LOAD OF EACH LIGHT SOURCE FROM THE MAXIMUM DC LOAD OF ARENA. DO NOT EXCEED MAXIMUM WEIGHT PER SIDE

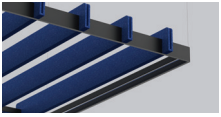
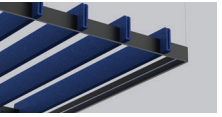
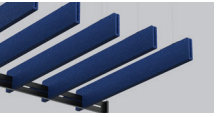
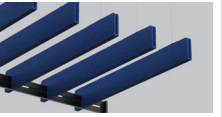
LUMINAIRE	FRAME CONFIGURATION *REFER TO 2D DRAWINGS FOR EACH SIZE.	ARENA RING	ARENA SQUARE & RECTANGLE							
		8200-36 8200-54	8220-36X36 8220-36X54	8220-54X54 8220-36X96 8220-54X96 8220-96X96	8220-36X190 8220-54X190 8220-96X190 8220-190X190	8220-36X380 8220-54X380 8220-96X380 8220-190X380 8220-380X380				
	MAXIMUM TOTAL DC LOAD OF ACCESSORY	90W DC	90W DC	180W (90W DC PER 2 SIDES)	360W (90W DC PER SIDES)	540W, 720W (90W DC PER SECTION)				
	MAXIMUM TOTAL WEIGHT OF ACCESSORY	25 LBS	25 LBS / SIDE	25 LBS / SIDE	25 LBS / SECTION	25 LBS / SECTION				

LUMINAIRE	FRAME CONFIGURATION *REFER TO 2D DRAWINGS FOR EACH SIZE.	ARENA STRAIGHT				
		8210-36 (1 SECTION) 8210-54 (1 SECTION) 8210-70 (2 SECTIONS)	8210-96 (1 SECTION) 8210-158 (3 SECTIONS) 8210-190 (2 SECTIONS)	8210-284 (3 SECTIONS) 8210-380 (4 SECTIONS)		
	MAXIMUM TOTAL DC LOAD OF ACCESSORY	90W (90W DC FOR BOTH SIDES)	180W (90W DC PER SECTION)	360W DC (90W DC PER SECTION)		
	MAXIMUM TOTAL WEIGHT OF ACCESSORY	25 LBS / SECTION	25 LBS / SECTION	25 LBS / SECTION		

ACCESSORIES HEAD	LIGHT SOURCES	BEAM	GLOW	AIM	CONE	BALL
		8290	8291	8292	8294	8295
						
	DC LOAD	8W DC	8W DC	8W DC	11W DC	8W DC
WEIGHT LBS	0.62 LBS	0.70 LBS	0.61 LBS	0.88 LBS	0.48 LBS	

ACCESSORIES SLICE	LIGHT SOURCES	SLICE-ROUND 8293 (ONLY FOR 8200)		SLICE-SQUARE 8296	
		8293-36	8293-54	8296-36	8296-54
					
	DC LOAD	8W DC	11W DC	8W DC	11W DC
WEIGHT LBS	1.24 LBS	1.65 LBS	2.22 LBS	3.50 LBS	

ACCESSORIES ADAPTER	LIGHT SOURCES	MILL 14"	SCOUT 02.75"	SCOUT 04"	MIKA 8"	BLOOM	MINI MUTE	CELESTE
		4277D-14	4048-XX	4049-XX	4230-8	4269-XX	4258-16	4010-CEL1
								
	DC LOAD	8W DC	8W DC	8W DC	8W DC	8W DC	11W DC	4W DC
WEIGHT LBS	11.3 LBS	MAX 4.32 LBS	MAX 6.05 LBS	2.40 LBS	MAX 9.75 LBS	5.83 LBS	2.20 LBS	

ACCESSORIES ACOUSTIC	ACOUSTIC CONFIGURATION	ACOUSTIC BAFFLE FOR ARENA SQUARE		ACOUSTIC BAFFLE FOR ARENA STRAIGHT	
		8297-40	8297-58	8298-40	8298-58
					
	WEIGHT LBS	1.38 LBS / PANEL	1.63 LBS / PANEL	1.38 LBS / PANEL	1.63 LBS / PANEL
CONFIGURATION USE FOR ARENA	8220-36X36 8220-36X54 8220-36X96	8220-54X54 8220-36X54 8220-54X96	8210-XX 8220-XX	8210-XX 8220-XX	

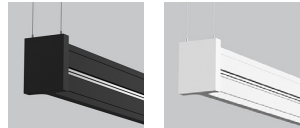
*WE RESERVE THE RIGHT TO MODIFY ANY INFORMATION AT ANY TIME.

ARENA STRAIGHT 8210

PROJECT PROJÉT
SPEC TYPE
NOTES



FINISH FINI



BLKE

WHE

FAMILY FAMILLE

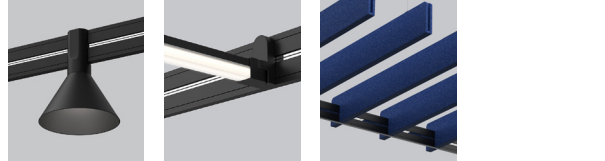


ARENA - BEAM 8290

ARENA - GLOW 8291

ARENA - AIM 8292

ARENA - BALL 8295

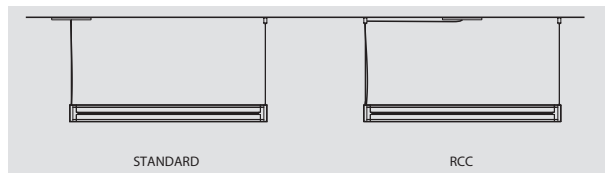


ARENA - CONE 8294

ARENA - SLICE SQ 8296

ARENA - ACOUSTIC 8298

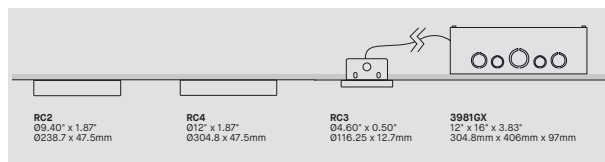
MOUNTING CABLE OPTION OPTION DE MONTAGE DE CÂBLE



STANDARD

RCC

MOUNTING OPTION OPTION DE MONTAGE



RC2
09.40" x 1.87"
0238.7 x 47.5mm

RC4
012" x 1.87"
0304.8 x 47.5mm

RC3
04.60" x 0.50"
0116.25 x 12.7mm

3981GX
12" x 10" x 3.83"
304.8mm x 406mm x 97mm

ORDERING SPECIFICATION SPÉCIFICATION DE COMMANDE

CODE

STANDARD MODEL MODÈLE STANDARD

8210-36	ARENA STRAIGHT 36"
8210-54	ARENA STRAIGHT 54"
8210-70	ARENA STRAIGHT 70" (2 SECTIONS CONNECTED WITH 1 JOINER)
8210-96	ARENA STRAIGHT 96"
8210-158	ARENA STRAIGHT 158" (3 SECTIONS CONNECTED WITH 2 JOINERS)
8210-190	ARENA STRAIGHT 190" (2 SECTIONS CONNECTED WITH 1 JOINER)
8210-285	ARENA STRAIGHT 285" (3 SECTIONS CONNECTED WITH 2 JOINERS)
8210-380	ARENA STRAIGHT 380" (4 SECTIONS CONNECTED WITH 3 JOINERS)

FOR CUSTOM SIZES, PLEASE CONTACT YOUR EUREKA REPRESENTATIVE.

DC LOAD PUISSANCE MAXIMALE DC

90W	1X 90 WATT (AVAILABLE FROM 36" TO 96")
180W	2X 90 WATT (AVAILABLE FROM 36" TO 190")
360W	4X 90 WATT (ONLY AVAILABLE FOR 285" TO 380")

ARENA STRAIGHT 8210	LIGHT SOURCES							ADAPTER TAA
	BEAM 8290	GLOW 8291	AIM 8292	SLICE-SQ 8296-36	SLICE-SQ 8296-54	BALL 8295	CONE 8294	
MAXIMUM DC LOAD 90W, 180W, 360W	8W DC	8W DC	8W DC	8W DC	11W DC	8W DC	11W DC	SEE SPEC SHEET
MAXIMUM TOTAL WEIGHT PER SECTION 25 LBS	0.62 LBS	0.70 LBS	0.61 LBS	2.22 LBS	3.50 LBS	0.48 LBS	0.88 LBS	

VOLTAGE VOLTAGE

120V	120 VOLT
277V	277 VOLT

CONTROL OPTIONS OPTION DE CONTRÔLE

DV	0-10V DIMMING (120V-277V)
NLTAIR2*	NLIGHT AIR CONTROL GEN2 (NOT AVAILABLE WITH MOUNTING OPTION RC3)
NLIGHT*	NLIGHT WIRED CONTROL (NOT AVAILABLE WITH MOUNTING OPTION RC3)

LED DIMMING DRIVER IS STANDARD IN THIS PRODUCT
*NLIGHT INTEGRATION REQUIRES A REMOTE POWER PACK (39NLAA & 39NLWA AS BELOW FOR NLIGHT). REFER TO NLIGHT GUIDE AND INSTALLATION SHEET FOR ALL REQUIREMENTS.

CABLE CÂBLE

AC	AIRCRAFT CABLE & POWER CORD, FIELD ADJUSTABLE
----	---

CABLE LENGTH LONGUEUR DE CÂBLE

60	60" AIRCRAFT CABLE (STD LENGTH)
**	CUSTOM AIRCRAFT CABLE LENGTH (PLEASE SPECIFY)

FOR OVERALL LENGTH, PLEASE CONTACT YOUR EUREKA REPRESENTATIVE.

MOUNTING MONTAGE

RC2	ROUND SURFACE SCREWLESS CANOPY 9.4" FOR 90W ONLY (2475I)
RC3	ROUND SURFACE SCREWLESS CANOPY 4.6" FOR REMOTE DRIVER BOX 12"X16" (2471C) (PAIR WITH ACCESSORY 3981GA OR 3981GB)
RC4	ROUND SURFACE SCREWLESS CANOPY 12" FOR 180W OR 360W (2477I)

MOUNTING CABLE OPTION OPTION DE MONTAGE DE CÂBLE

RCC	FLOATING CANOPY - STRAIGHT AIRCRAFT CABLES IF NO OPTION IS SELECTED, A CANOPY AT END OF THE FIXTURE WITH AIRCRAFT CABLES IS STANDARD
-----	---

CANOPY & GRIPPERS FINISH FINI PAVILLON ET ATTACHES

BLKE	BLACK FINE TEXTURE
WHE	WHITE FINE TEXTURE

POWER CORD FINISH FINI CÂBLE D'ALIMENTATION

BLK	BLACK POWER CORD
WH	WHITE POWER CORD
CLR	CLEAR POWER CORD

FRAME FINISH FINI DU CADRE

BLKE	BLACK FINE TEXTURE
WHE	WHITE FINE TEXTURE

ACCESSORY ACCESSOIRE

3981GA	1 REMOTE DRIVER BOX 12"X16" FOR MOUNTING RC3 FOR DC LOAD 90W
3981GB	1 REMOTE DRIVER BOX 12"X16" FOR MOUNTING RC3 FOR DC LOAD 180W
3981GB2	2 REMOTE DRIVER BOXES 12"X16" FOR MOUNTING RC3 FOR DC LOAD 360W
39NLAA*	NLIGHT AIR GEN 2 REMOTE CONTROLLER (NOT AVAILABLE WITH MOUNTING OPTION RC3)
39NLWA*	NLIGHT WIRED REMOTE CONTROLLER (NOT AVAILABLE WITH MOUNTING OPTION RC3)

* FOR CHICAGO PLENUM INSTALLATION, PLEASE CONTACT YOUR EUREKA REPRESENTATIVE

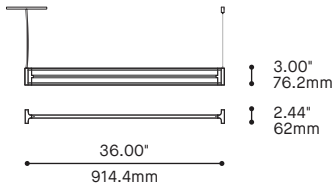


SPECIFICATION

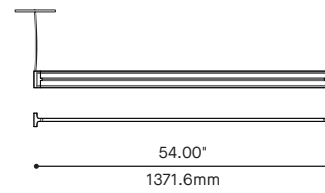
ARENA STRAIGHT 8210

CONFIGURATIONS

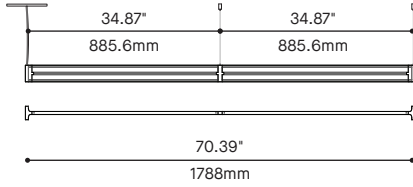
8210-36
ARENA STRAIGHT 36"



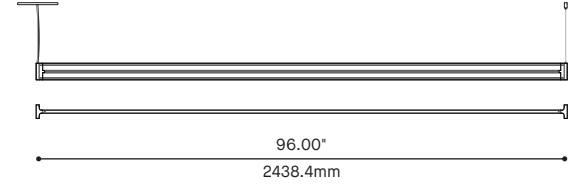
8210-54
ARENA STRAIGHT 54"



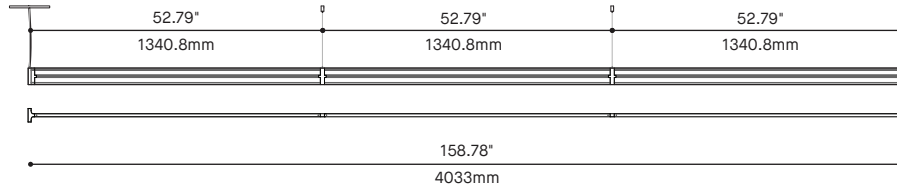
8210-70
ARENA STRAIGHT 70.4"



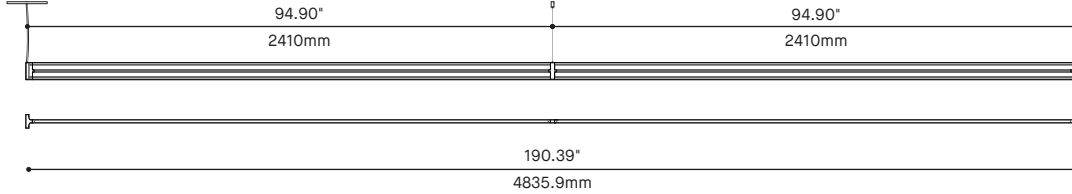
8210-96
ARENA STRAIGHT 96"



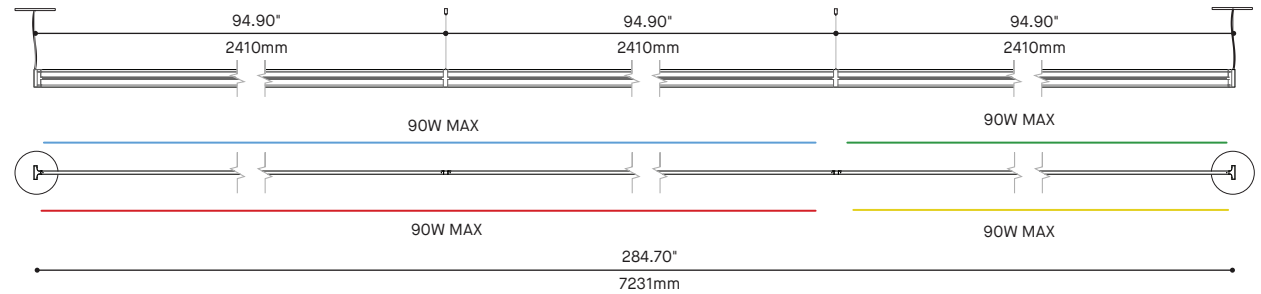
8210-158
ARENA STRAIGHT 158.78"



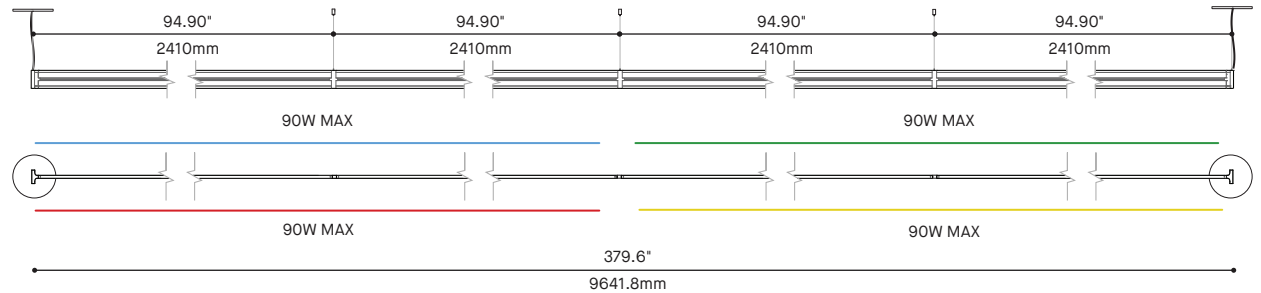
8210-190
ARENA STRAIGHT 190.39"



8210-284
ARENA STRAIGHT 284.7"

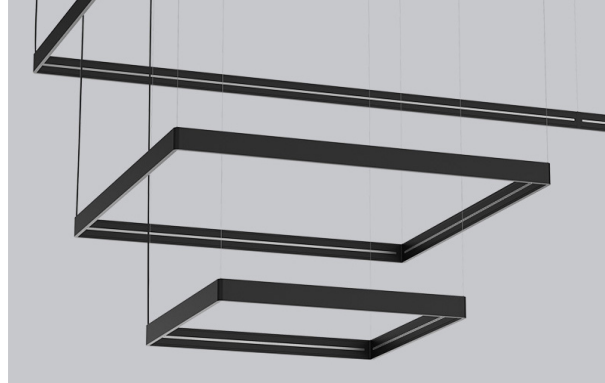


8210-380
ARENA STRAIGHT 379.6"

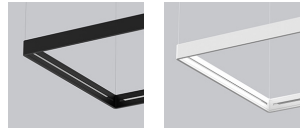


ARENA SQUARE & RECTANGLE 8220

PROJECT PROJÉT
SPEC TYPE
NOTES



FINISH FINI



BLKE WHE

FAMILY FAMILLE

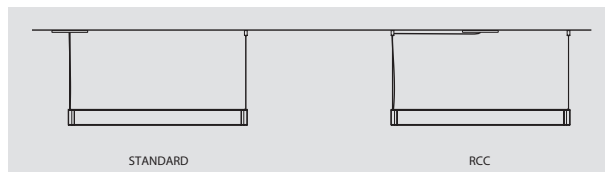


ARENA - BEAM 8290 ARENA - GLOW 8291 ARENA - AIM 8292 ARENA - BALL 8295



ARENA - CONE 8294 ARENA - SLICE SQ 8296 ARENA - ACOUSTIC 8298

MOUNTING CABLE OPTION OPTION DE MONTAGE DE CÂBLE



ORDERING SPECIFICATION SPÉCIFICATION DE COMMANDE

CODE

STANDARD MODEL MODÈLE STANDARD

8220-36X36	ARENA SQUARE 36X36"	8220-36X190	ARENA RECTANGLE 36X190"
8220-54X54	ARENA SQUARE 54X54"	8220-54X190	ARENA RECTANGLE 54X190"
8220-96X96	ARENA SQUARE 96X96"	8220-96X190	ARENA RECTANGLE 96X190"
8220-190X190	ARENA SQUARE 190X190"	8220-36X380	ARENA RECTANGLE 36X380"
8220-380X380	ARENA SQUARE 380X380"	8220-54X380	ARENA RECTANGLE 54X380"
8220-36X54	ARENA RECTANGLE 36X54"	8220-96X380	ARENA RECTANGLE 96X380"
8220-36X96	ARENA RECTANGLE 36X96"	8220-190X380	ARENA RECTANGLE 190X380"
8220-54X96	ARENA RECTANGLE 54X96"		

FOR CUSTOM SIZES, PLEASE CONTACT YOUR EUREKA REPRESENTATIVE.

DC LOAD PUISSANCE MAXIMALE DC

90W	1 CANOPY / 1 DRIVER OF 90W
180W	1 CANOPY / 2 DRIVERS OF 90W
360W	2 CANOPY / 4 DRIVERS OF 90W
540W	4 CANOPY / 6 DRIVERS OF 90W
720W	4 CANOPY / 8 DRIVERS OF 90W

8220	36"	54"	96"	190"	380"
36"	90W				
54"		180W	180W	360W	540W
96"					
190"					
380"					720W

ARENA
SQUARE 8220
MAXIMUM DC LOAD SEE TABLE
MAXIMUM TOTAL WEIGHT PER SECTION 25 LBS

LIGHT SOURCES							
BEAM 8290	GLOW 8291	AIM 8292	SLICE-SQ 8296-36	SLICE-SQ 8296-54	BALL 8295	CONE 8294	ADAPTER TAA
8W DC	8W DC	8W DC	8W DC	11W DC	8W DC	11W DC	SEE SPEC SHEET
0.62 LBS	0.70 LBS	0.61 LBS	2.22 LBS	3.50 LBS	0.48 LBS	0.88 LBS	

VOLTAGE VOLTAGE

120V	120 VOLT
277V	277 VOLT

CONTROL OPTIONS OPTION DE CONTRÔLE

DV	0-10V DIMMING (120V-277V)
NLTAIR2*	NLIGHT AIR CONTROL GEN2 (NOT AVAILABLE WITH MOUNTING OPTION RC3)
NLIGHT*	NLIGHT WIRED CONTROL (NOT AVAILABLE WITH MOUNTING OPTION RC3)
	LED DIMMING DRIVER IS STANDARD IN THIS PRODUCT
	*NLIGHT INTEGRATION REQUIRES A REMOTE POWER PACK (39NLAA & 39NLWA AS BELOW FOR NLIGHT). REFER TO NLIGHT GUIDE AND INSTALLATION SHEET FOR ALL REQUIREMENTS.

CABLE CÂBLE

AC	AIRCRAFT CABLE & POWER CORD, FIELD ADJUSTABLE
----	---

AC

CABLE LENGTH LONGUEUR DE CÂBLE

60	60" AIRCRAFT CABLE (STD LENGTH)
**	CUSTOM AIRCRAFT CABLE LENGTH (PLEASE SPECIFY)
	FOR OVERALL LENGTH, PLEASE CONTACT YOUR EUREKA REPRESENTATIVE.

MOUNTING MONTAGE

RC2	ROUND SURFACE SCREWLESS CANOPY 9.4" FOR 90W ONLY (2475I)
RC3	ROUND SURFACE SCREWLESS CANOPY 4.6" FOR REMOTE DRIVER BOX 12"X16" (2471C) (PAIR WITH ACCESSORY 3981GA OR 3981GB)
RC4	ROUND SURFACE SCREWLESS CANOPY 12" FOR 180W OR 360W (2477I)

MOUNTING CABLE OPTION OPTION DE MONTAGE DE CÂBLE

RCC	FLOATING CANOPY - STRAIGHT AIRCRAFT CABLES
	IF NO OPTION IS SELECTED, A CANOPY AT CORNERS OF THE FIXTURE WITH AIRCRAFT CABLES IS STANDARD

CANOPY & GRIPPERS FINISH FINI PAVILLON ET ATTACHES

BLKE	BLACK FINE TEXTURE
WHE	WHITE FINE TEXTURE

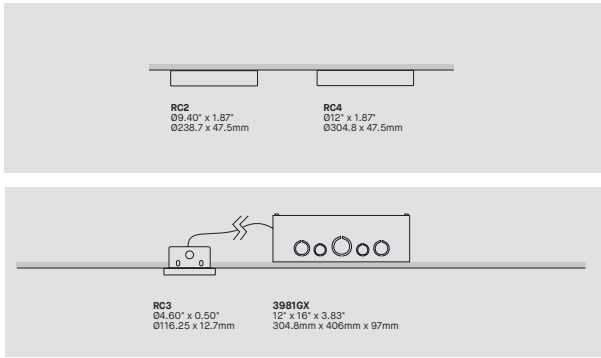
POWER CORD FINISH FINI CÂBLE D'ALIMENTATION

BLK	BLACK POWER CORD
WH	WHITE POWER CORD
CLR	CLEAR POWER CORD

FRAME FINISH FINI DU CADRE

BLKE	BLACK FINE TEXTURE
WHE	WHITE FINE TEXTURE

MOUNTING OPTION OPTION DE MONTAGE



ACCESSORY ACCESSOIRE

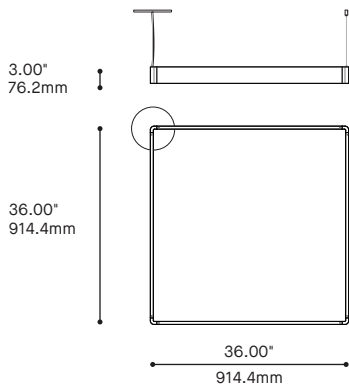
- 3981GA** 1 REMOTE DRIVER BOX 12"X16" FOR MOUNTING RC3 FOR DC LOAD 90W
- 3981GB** 1 REMOTE DRIVER BOX 12"X16" FOR MOUNTING RC3 FOR DC LOAD 180W
- 3981GB2** 2 REMOTE DRIVER BOXES 12"X16" FOR MOUNTING RC3 FOR DC LOAD 360W
- 3981GB3** 3 REMOTE DRIVER BOXES 12"X16" FOR MOUNTING RC3 FOR DC LOAD 540W
- 3981GB4** 4 REMOTE DRIVER BOXES 12"X16" FOR MOUNTING RC3 FOR DC LOAD 720W
- 39NLAA*** NLIGHT AIR GEN 2 REMOTE CONTROLLER (NOT AVAILABLE WITH MOUNTING OPTION RC3)
- 39NLWA*** NLIGHT WIRED REMOTE CONTROLLER (NOT AVAILABLE WITH MOUNTING OPTION RC3)

* FOR CHICAGO PLENUM INSTALLATION, PLEASE CONTACT YOUR EUREKA REPRESENTATIVE

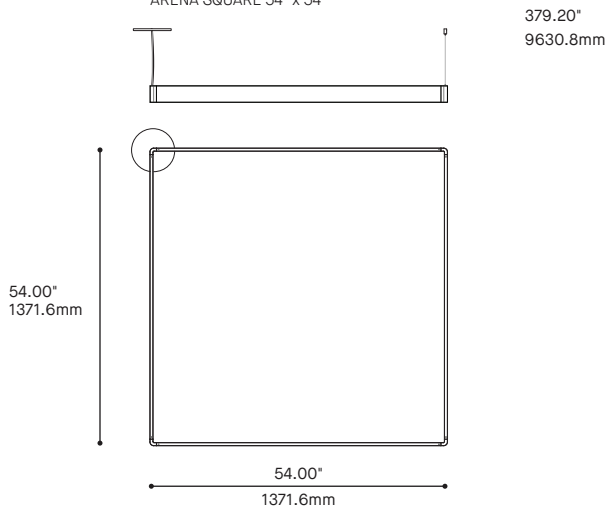
ARENA SQUARE 8220

CONFIGURATIONS

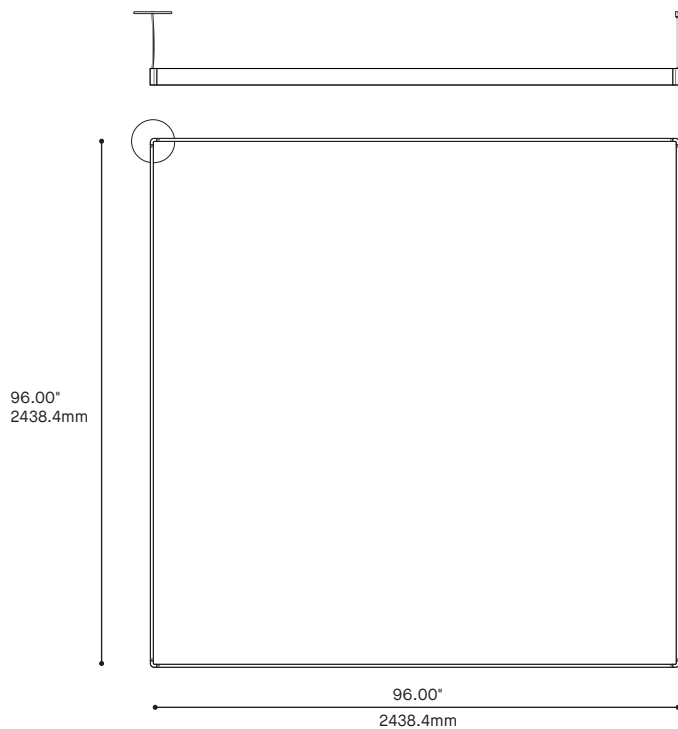
8220-36X36
ARENA SQUARE 36" x 36"



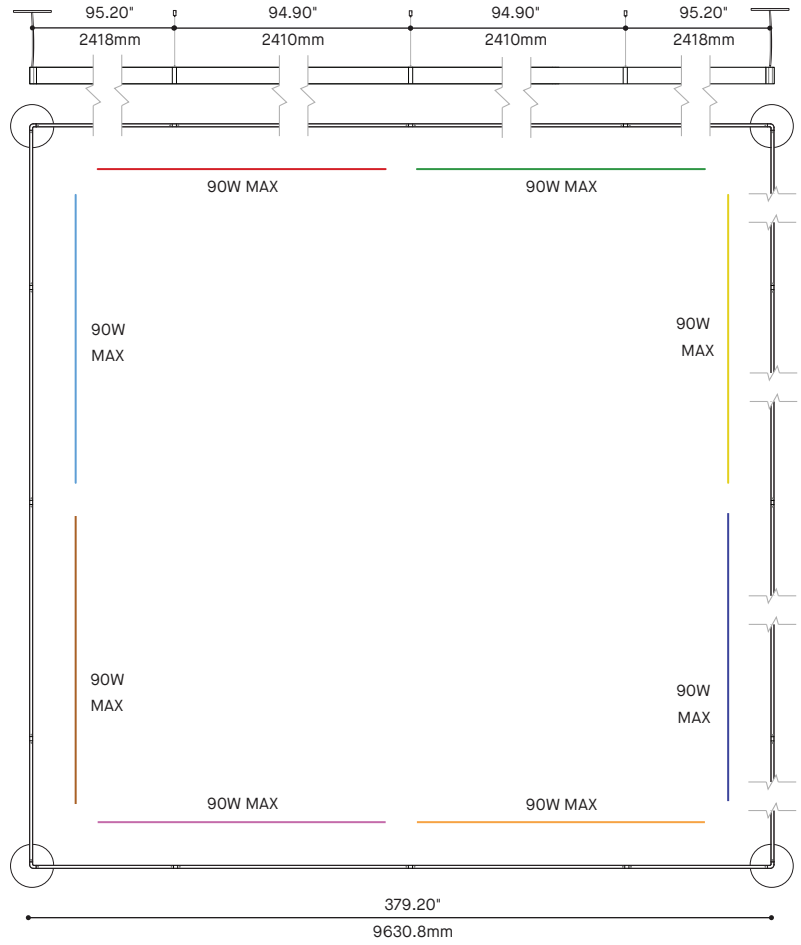
8220-54X54
ARENA SQUARE 54" x 54"



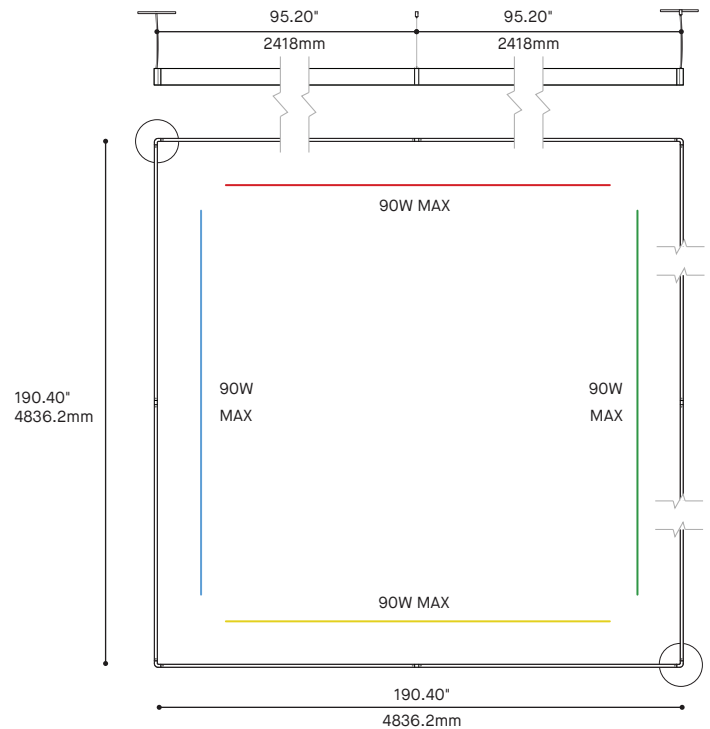
8220-96X96
ARENA SQUARE 96" x 96"



8220-380X380
ARENA SQUARE 380" x 380"

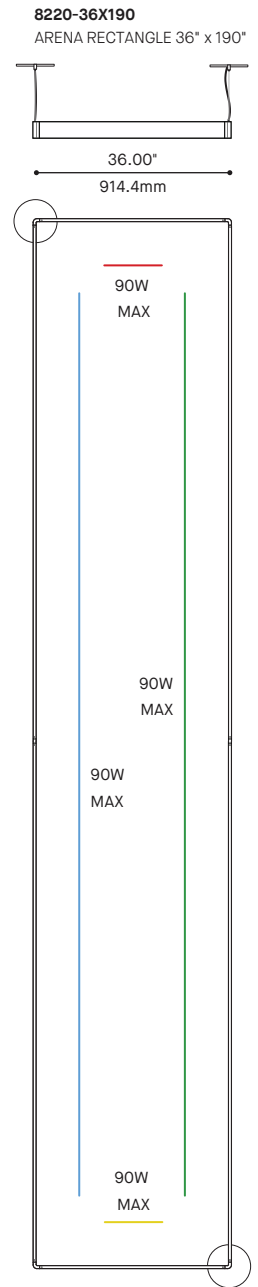
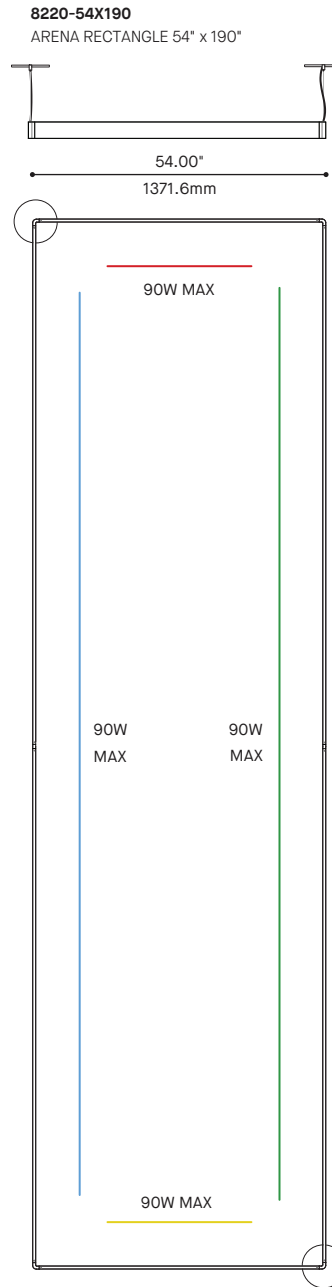
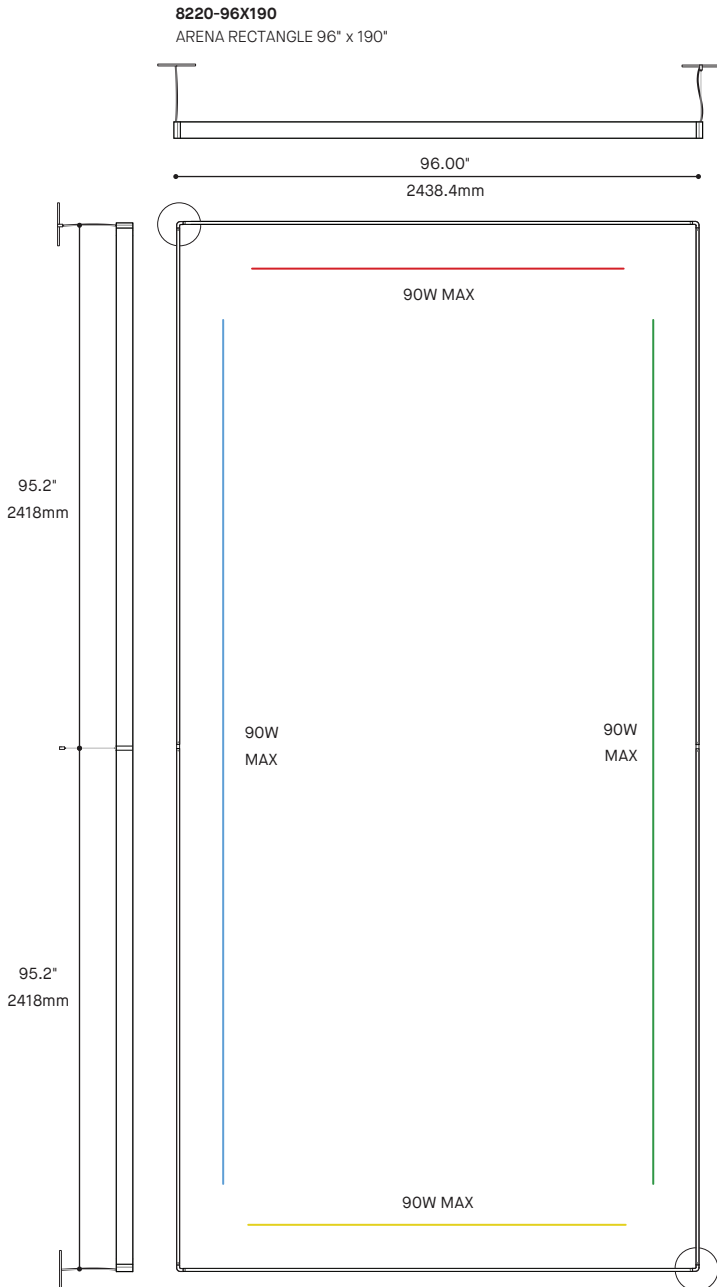
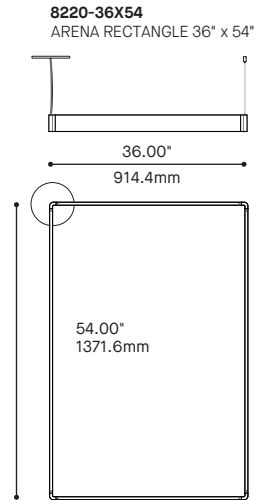
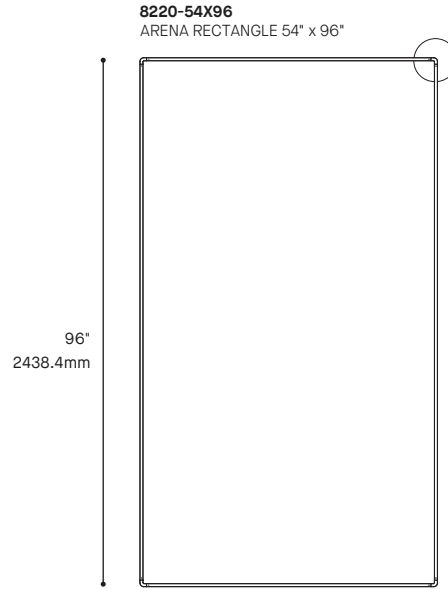
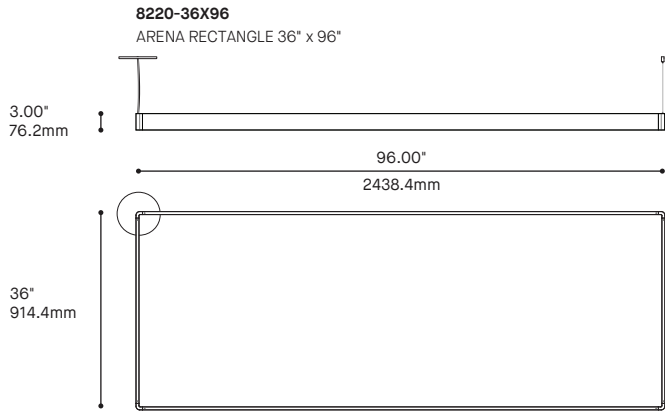


8220-190X190
ARENA SQUARE 190" x 190"



ARENA RECTANGLE 8220 1/2

CONFIGURATIONS

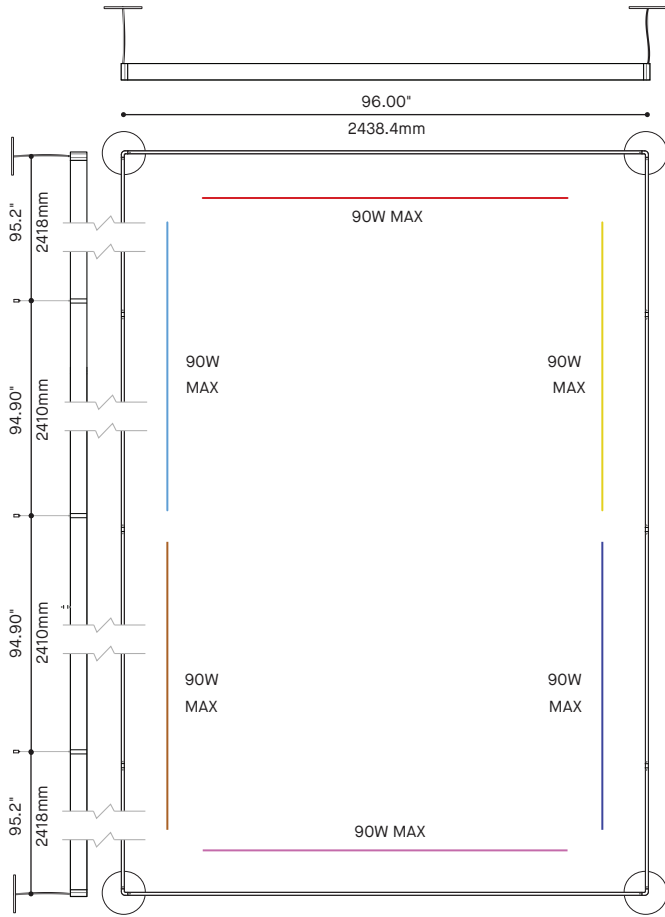


ARENA RECTANGLE 8220 2/2

CONFIGURATIONS

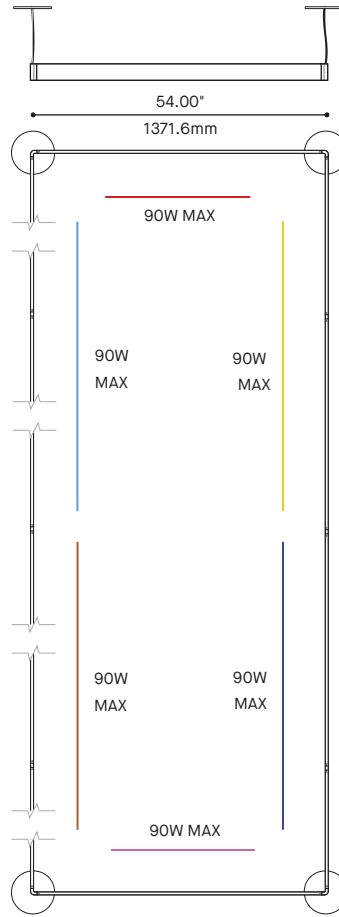
8220-96X380

ARENA SQUARE 96" x 380"



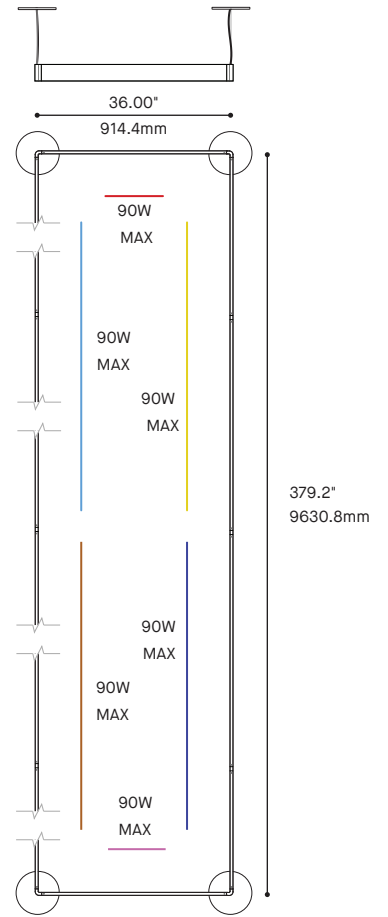
8220-54X380

ARENA RECTANGLE 54" x 380"



8220-36X380

ARENA RECTANGLE 36" x 380"



8220-190X380

ARENA RECTANGLE 190" x 380"

